

ZNLS-21 (LOW PROFILE) & ZNHS-37 (HIGH PROFILE) HEAVY DUTY CASTED ZINC DOME STOP

Features

- For doors with threshold or undercut door
- Heavy duty cast dome stops constructed of zinc
- Rubber bumper does not scar nor mark surface of the door
- Packed with wood screw and plastic anchor

Material

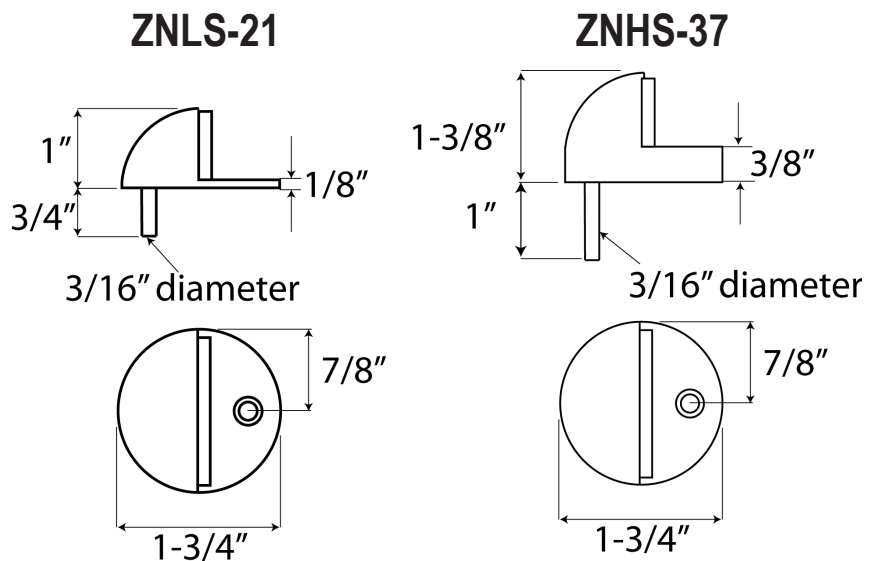
- Zinc Alloy

Finishes

- US10B - Oil Rubbed Bronze
- US26D - Satin Chrome

Code Compliance

- **ZNLS-21** conforms to ANSI/BHMA A156.16, L02141
- **ZNHS-37** conforms to ANSI/BHMA A156.16, L02161



CAL-ROYAL PRODUCTS, INC.

6605 Flotilla St., City of Commerce, CA 90040 U.S.A.
 Phone: (323) 888-6601 • (800) 876-9258 • Fax: (323) 888-6699 • (800) 222-3316
 Email: sales@cal-royal.com • Website: www.cal-royal.com

The illustration and technical description in this cut sheet is current as of the date in the version date on the right. Cal-Royal Product reserves the right to, and may, on occasions, make changes and/or improvements in designs and dimensions without prior notice.

**VERSION
2023.1.0**

ZNUS-82 (FOR BOTH LOW AND HIGH PROFILES) HEAVY DUTY CASTED ZINC DOME STOP

Features

- Heavy duty cast dome stop designed for both low and high profiles

Base Diameter

- 1 3/4"

Height

- 1 5/8"

Material

- Zinc Alloy

Finishes

- US10B - Oil Rubbed Bronze
- US26D - Satin Chrome

Fasteners

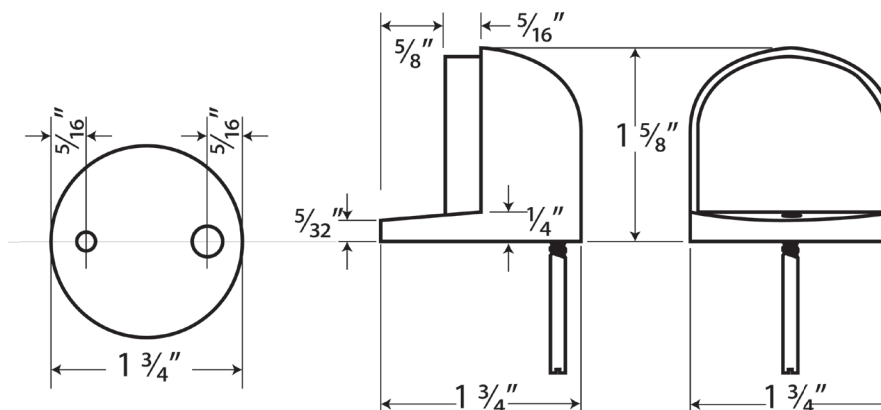
- # 14 x 1 1/2" wood screw w/ plastic shield
- 1/4" - 20 x 3/4" machine screw

Code Compliance

- Meets ANSI / BHMA A156.16, L02141 when used as low profile without thresholds



ZNUS-82



CAL-ROYAL PRODUCTS, INC.

6605 Flotilla St., City of Commerce, CA 90040 U.S.A.
 Phone: (323) 888-6601 • (800) 876-9258 • Fax: (323) 888-6699 • (800) 222-3316
 Email: sales@cal-royal.com • Website: www.cal-royal.com

The illustration and technical description in this cut sheet is current as of the date in the version date on the right. Cal-Royal Product reserves the right to, and may, on occasions, make changes and/or improvements in designs and dimensions without prior notice.

**VERSION
2023.1.0**