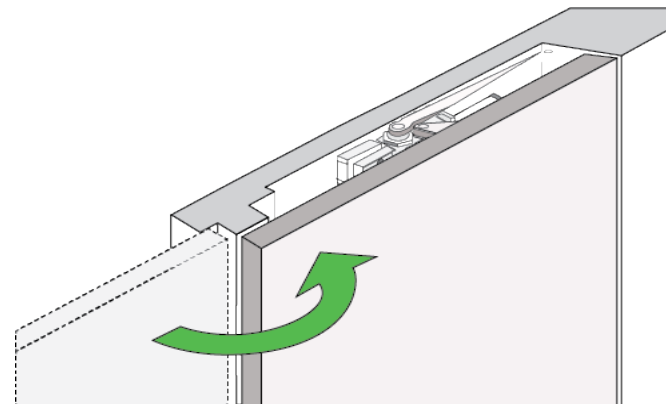
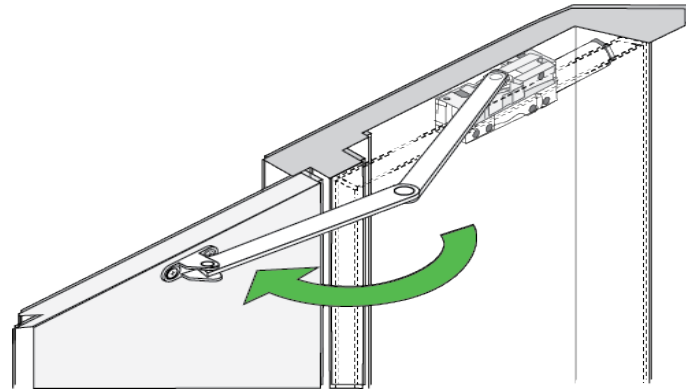
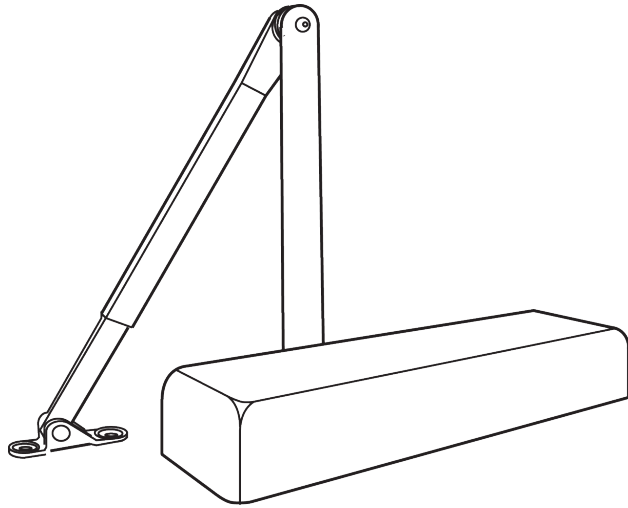


# CR271PC Series

**ANSI A156.4, GRADE 1, CR441 EXTRA POWERFUL HYDRAULIC DOOR CLOSER SERIES, NON-HANDED, POCKET DOOR CLOSER APPLICATION**



- ☑ For 180 DEGREES opening in a Pocket Door ONLY Application
- ⊘ NOT FOR USE with conventional hinges or latching hardware

ITEM #	DESCRIPTION	CASES			PCS / MC	UNIT
<b>CR271PC</b> <b>NEW ITEM</b>	CR441 Series, Heavy Duty Pocket Door Closer Application, with higher tensioned steel spring combined with high performance hydraulic fluid. (Full Cover)	<b>ALUM</b>			4	Each
		1 CASE	5 CASES	10 CASES		

**► PACKAGING INCLUDES**

- Heavy Duty Double Lever Forged Steel Arm (1" longer than CR441 arm)
- Parallel bracket
- Wood screws and self-tapping machine screws
- Full cover
- Sex bolts