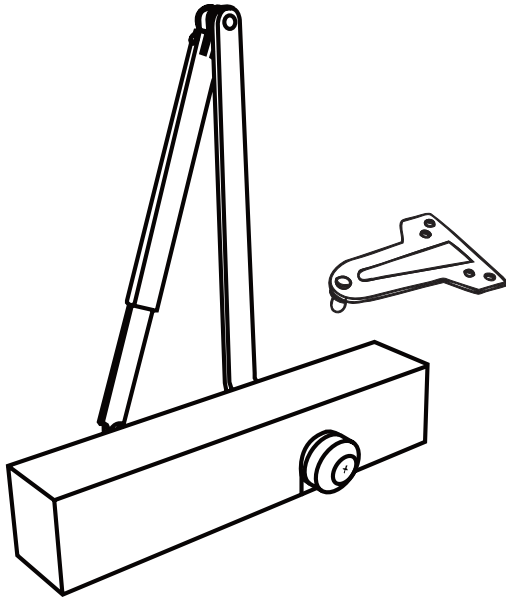




FAMILY OF STAINLESS STEEL INTRODUCING

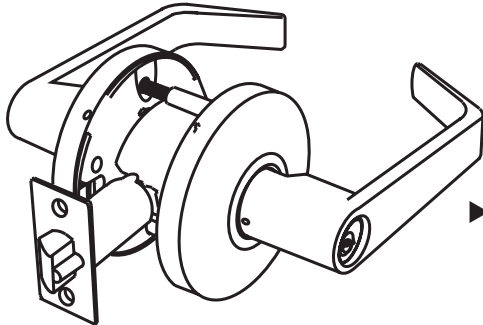


N900PBF US32D/US32D

ALL STAINLESS STEEL 900 SERIES DOOR CLOSER
NARROW COVER, AND PARALLEL ARM BRACKET

- ▶ Heavy Duty Full Feature Multi-Size Commercial Door Closer for use in Office Buildings, Shopping Centers, and other Commercial Buildings
- ▶ **Code Compliance:** ANSI/BHMA A156.4 Grade 1
- ▶ Standard Packaging includes **All Stainless Steel Narrow Cover, Arms, and Parallel Arm Bracket**, with Six Bolts and Screws.

ITEM #	IP QTY	MC QTY
N900PBF US32D/US32D	1	6



GENESYS SERIES

ALL EXCLUSIVE STAINLESS STEEL EXTERIOR
(INCLUDES GRADE 304 SS LEVER AND ROSE)

- ▶ With Clutch mechanism feature
- ▶ Fixed thru-bolt installation

ITEM#	FUNCTIONS	PCS/MC
● ICCGN00	Entrance	10
● ICCGN01	Entrance Push Button Lock	
● ICGN02	Store lock - Non Clutch (keyed Dbl. cyl.)	
● ICCGN03	Classroom	
● ICCGN04	Communicating (keyed Dbl. cyl.)	
● ICCGN05	Storeroom	
● ICCGN06	Vestibule	
● ICCGN07	Classroom / Intruder	
● ICCGN09	Institution (keyed dbl. cyl.)	

● Optional Interchangeable Core for **BEST, FALCON AND ARROW**

ITEM#	FUNCTIONS	PCS / MC
CGN00	Entrance	10
CGN01	Entrance Push Button Lock	
GN02	Store lock - Non Clutch (keyed Dbl. cyl.)	
CGN03	Classroom	
CGN04	Communicating (keyed Dbl. cyl.)	
CGN05	Storeroom	
CGN06	Vestibule	
CGN07	Classroom / Intruder	
GN101	Dormitory (Non-Clutch)	
CGN09	Institution (keyed Dbl. cyl.)	
CGN20	Privacy	20
HCGN20	Hospital Privacy	
GN30	Passage	
GN50	Exit	
GN40	Single Dummy	

EMAIL orders to orders@cal-royal.com or
FAX us Toll Free at 1-800-222-3316 or 323-888-6699

Visit www.cal-royal.com to know more about our products.

STOCK ITEM PRICES IN **BOLD**. NON-STOCK FINISHES AND DESIGNS
AVAILABLE WITH FACTORY LEAD TIME AND SUBJECT TO MINIMUM ORDER.