

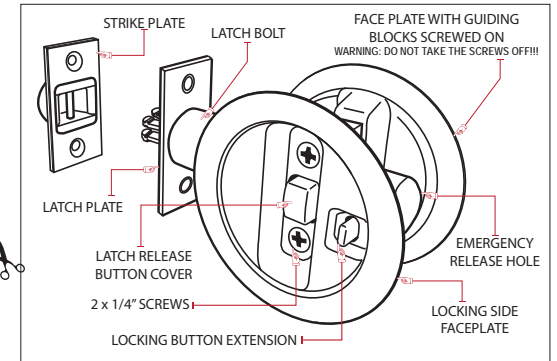
134RSDL20

PRIVACY SLIDING DOOR LOCK
FOR 1-3/4" THICK DOORS ONLY



134RSDL20

PRIVACY SLIDING DOOR LOCK
FOR 1-3/4" THICK DOORS ONLY



INSTALLATION INSTRUCTIONS for 1-3/4" thick doors only

STEP 1 MARK

Using the template above, mark a horizontal centerline 38" (950mm) from the door bottom. Mark the door for a 2-1/8" (54mm) bore, the center should be 2-3/8" (60mm) from the edge of the door. Mark 15/16" (24mm) bore on edge of door along the horizontal centerline and centered on the door thickness.

STEP 2 BORE

- Bore 2-1/8" (54mm) hole on face of the door. Boring on both faces of the door prevents splitting.
- Bore 15/16" (24mm) hole on door edge 3-5/8" (92mm) deep.
- Mark and mortise for latch 1" X 2-1/4", 1/8" (3mm) deep.

STEP 3 SEPARATE STRIKE PLATE

Remove strike plate from lock by depressing LATCH RELEASE BUTTON.

STEP 4 LOCK INSTALLATION

- Pull out the latch bolt from the guiding blocks (DO NOT REMOVE SCREWS). Determine which side is the locking side and install the latch by depressing the nylon locking button to fit 15/16" (24mm) hole (AVOID TWISTING THE LATCH WHEN INSERTING IN BORE). Make sure the LOCKING BUTTON is on the locking side of the door.
- Install the face plate with guiding blocks opposite the locking side into the 2-1/8" (54mm) bore. Check that the "EMERGENCY RELEASE HOLE" is toward the rear of door away from the latch.
- Place the LOCKING SIDE FACE PLATE on the other side, with the LOCKING BUTTON EXTENSION inserted in the lock button slot, and secure with 2 x 1/4" (6.4mm) screws provided.
- Snap the LATCH BUTTON COVERS on both sides.
- Secure LATCH PLATE in mortise with 3/4" (19mm) screws provided.

STEP 5 STRIKE PLATE INSTALLATION

Determine location on the jamb by sliding close the pocket door until the latch hits the jamb. Mark the location where strike hits the jamb. Drill 15/16" (24mm) hole 1" (25.4mm) deep in center of mark. Place STRIKE PLATE in 15/16" (24mm) hole. Make sure the plate is plumb with jamb. Mark 1-1/8" x 2-1/4" and mortise, 1/8" (3mm) deep. Secure with 3/4" (19mm) screws provided.

