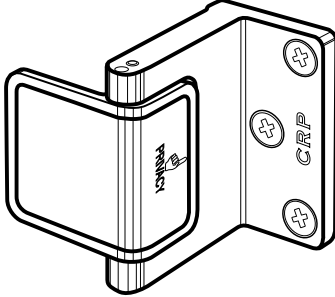
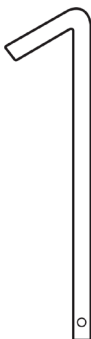
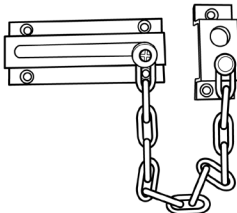
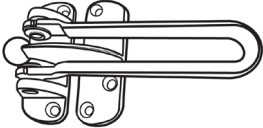
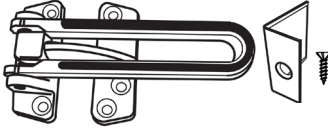
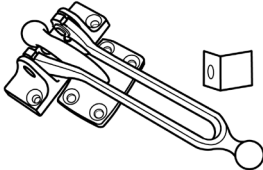



DOOR GUARDS

| ILLUSTRATION | ITEM NO | DESCRIPTION | FINISH | INNER QTY | MASTER QTY |
|---|----------------------------|--|--|-----------|------------|
|  | HPDL258 | Privacy Door Latch Material: Zinc Die Cast Height: 2 1/8" Width (Base): 1 1/2" Weight: 0.65 lbs/unit Opening Angle: 87° | US3, 4, 10B, US26, 26D, US19 NEW FINISH | 10 | 50 |
|  | PDL-200 NEW ITEM | Privacy Door Latch Disengage Tool, Material: Steel Height: 9 1/2" Width: 1/2" Hook Length: 2 1/2" Thickness: 0.016" (0.4mm) | No Finish | 1 | 50 |
|  | DG22 | Solid Brass Chain Door Guard, 6 3/4" Chain BHMA L03041 | US3 US5, 26 | 20 | 200 |
|  | BBDHG88 | Zinc Diecast Swing Bar Door Guard With Ball Bearing | US3, 4, US5, 10B, US26, 26D | 10 | 100 |
|  | PDG88 | Diecast Swing Bar Door Guard With Ball Bearing and Protective Rubber Insert On Both Sides Of Arms | US3, 4, US26, 26D, US10B | 10 | 100 |
|  | SBDG00 | Solid Brass Door Guard Packed With Angle Protector. Comparable to IVES 482B, Arm length 4 3/4". With Ball Bearing ANSI / BHMA L03041 | US26D US3, 26, US4, 10B | 10 | 100 |
|  | DAP77 | Door Angle Protector with Adhesive and Individual Screw for secure mounting. To be used with BDHG88 and PDG88 Door Guards. | US3, 4, 5, US26, 26D, US10B | 1 | 200 |