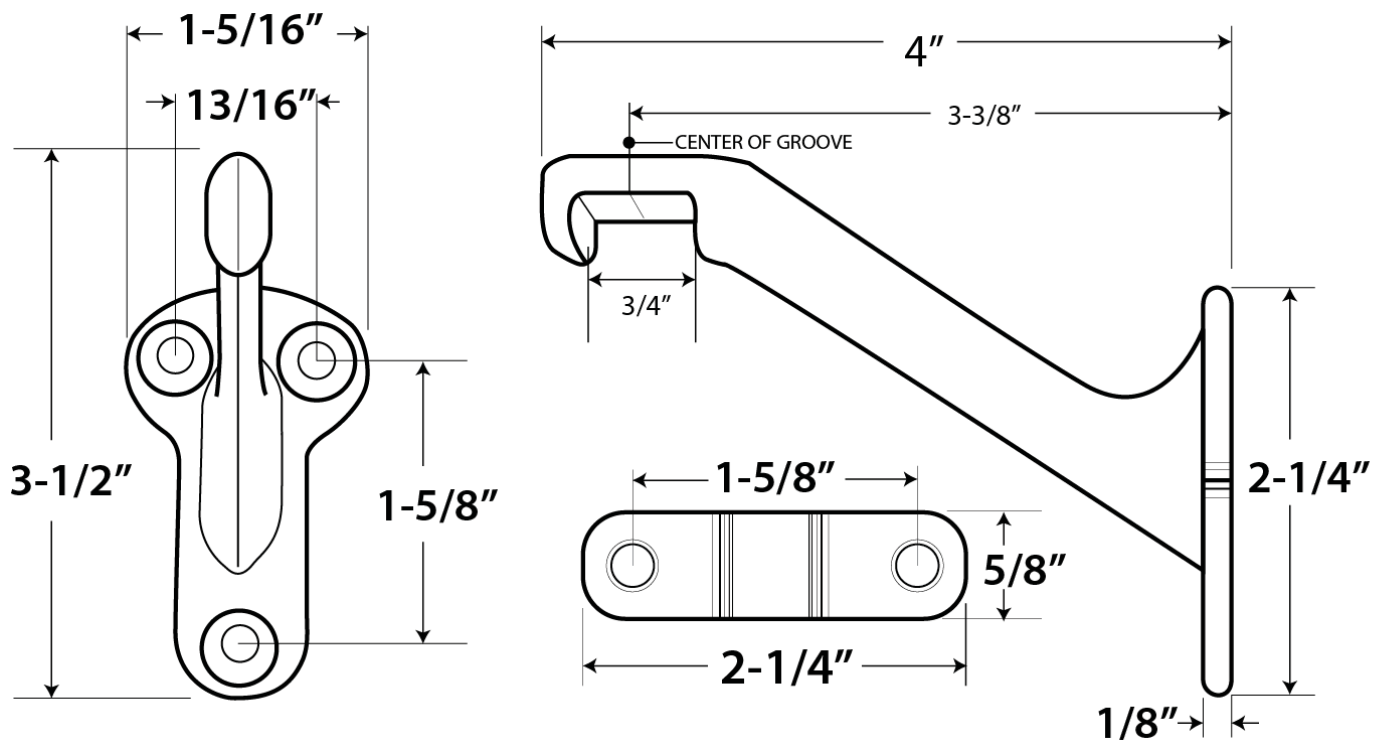
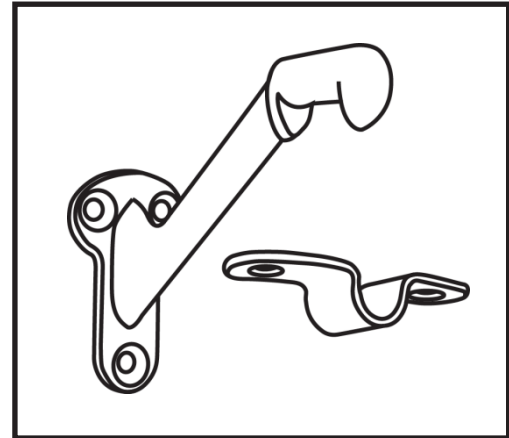


ADAHB-4

Heavy Duty Hand Rail Bracket

- ⊙ Conforms and Meets ADA Regulations
- ⊙ Die cast aluminum
- ⊙ Individually poly-bagged with screws
- ⊙ Height: 3-1/2"
- ⊙ 4" Projection
- ⊙ Conforms to ANSI/BHMA A156.16 L33061
- ⊙ Architectural finishes available



Cal-Royal Products, Inc.

6605 Flotilla St., City of Commerce, CA 90040 U.S.A.

Phone: (323) 888-6601 • (800) 876-9258 • Fax: (323) 888-6699 • (800) 222-3316

Email: sales@cal-royal.com • Website: www.cal-royal.com



The illustration and technical description in this Specification Sheet is current as of the date in the version box above. Cal-Royal Product reserves the right to, and may frequently make changes and/or improvements in designs and dimensions.