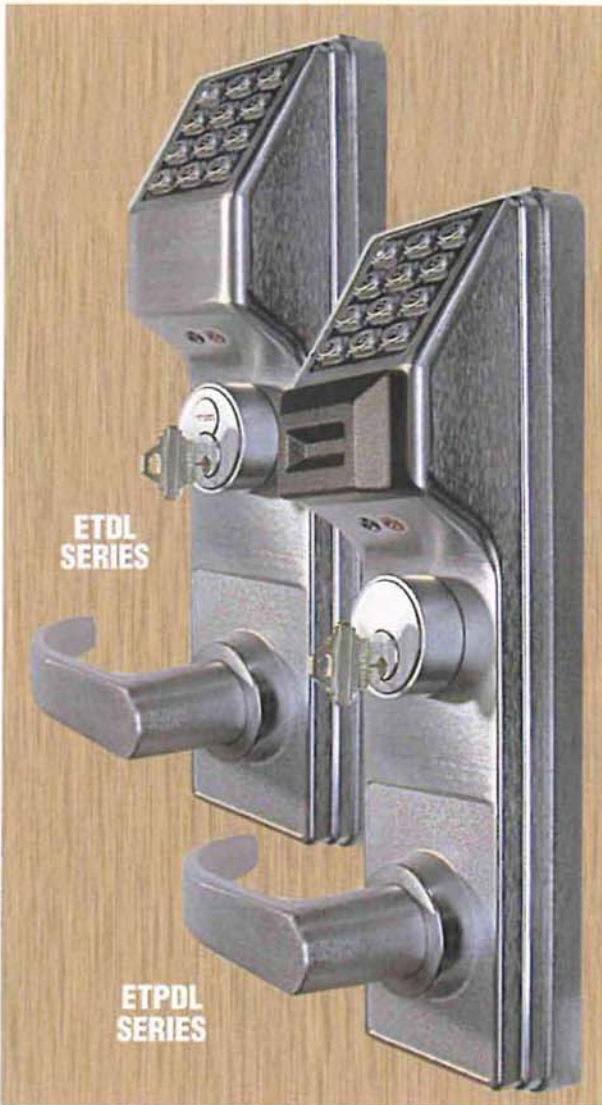


CR5000 Series

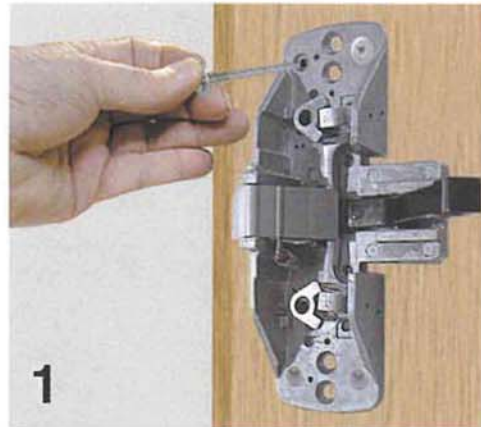
Trilogy® Panic Exit Device Trim



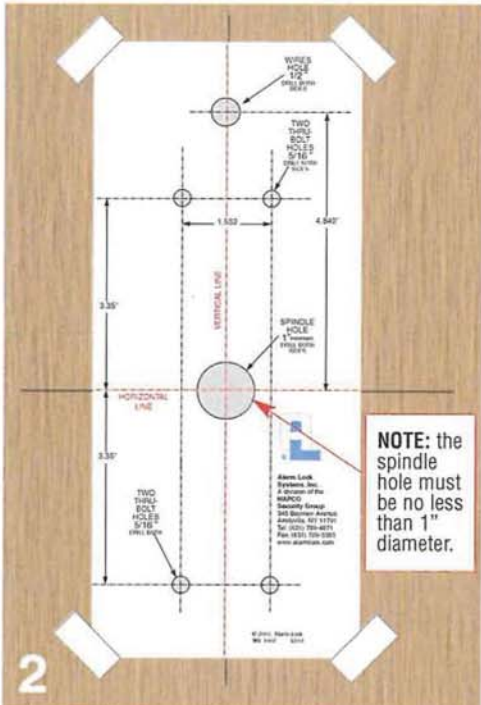
Cal Royal

Model 98
Rim Exit Device

INSTALLATION INSTRUCTIONS & TEMPLATE



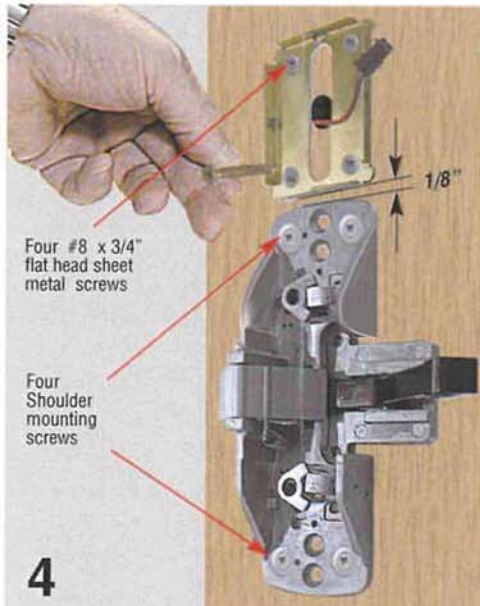
1. Existing installation: Remove Exit device from door.



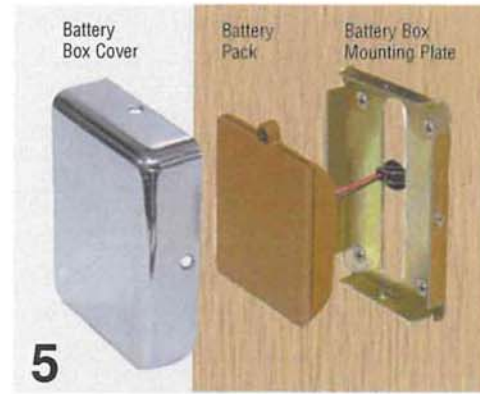
2. Existing Installation: Position Alarm Lock template on horizontal & vertical lines of existing spindle hole. **New Installation:** Locate and mark horizontal and vertical lines indicated in Exit Device Instructions/Template. Line up Alarm Lock template with horizontal and vertical lines and tape on door. **Existing and New Installations:** Mark all hole centers on each side of door. Drill all holes from both sides of door to avoid splintering.



3. Position Exterior assembly on door.



4. Replace Exit Device, insert and fasten with 4 new Shoulder mounting screws, through top and bottom of Device into mounting posts. Do not over tighten. Pull wires from door through Battery Mounting Plate. Do not pinch or cut wires. Position plate 1/8 inch minimum above Exit Device and fasten with four #8 x 3/4 inch flat head sheet metal screws.

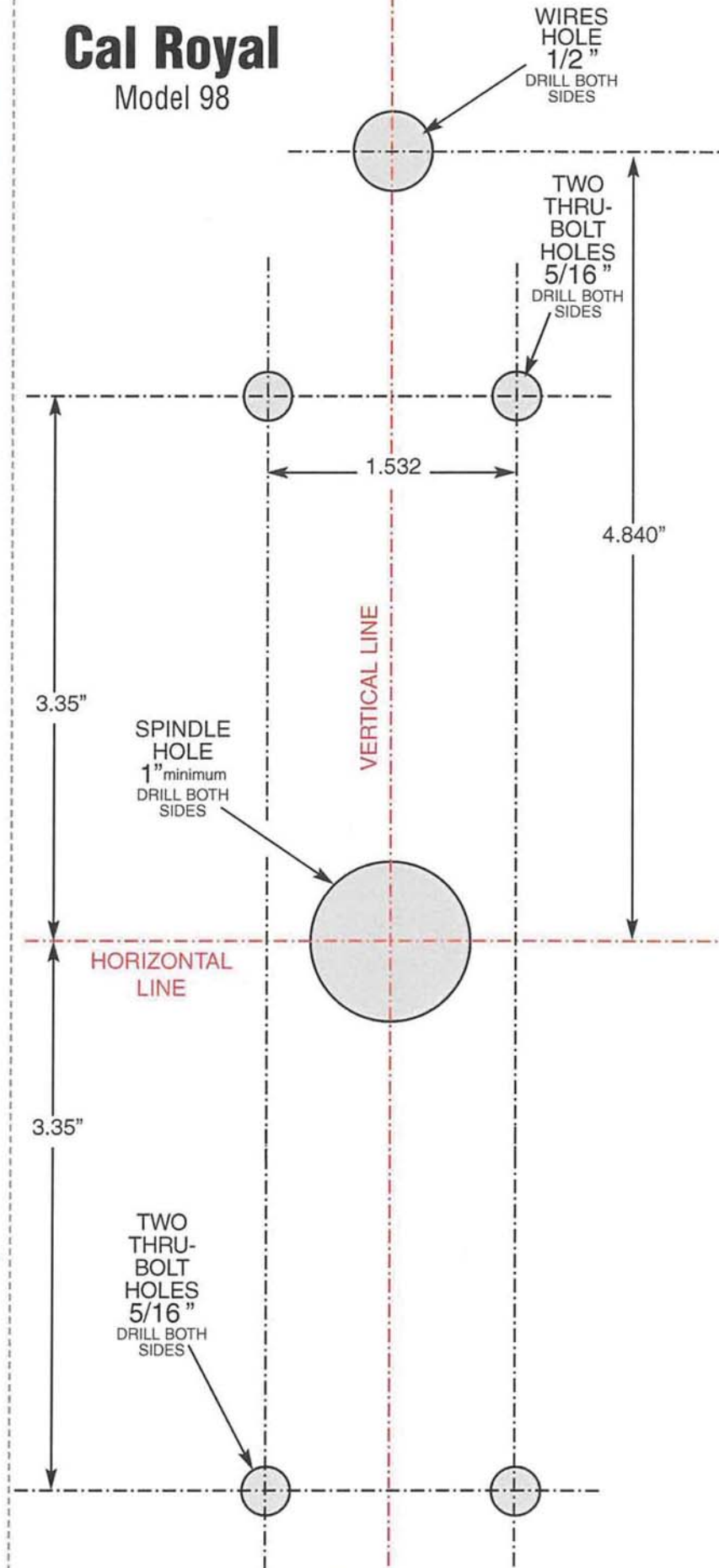


5. Connect battery pack and place inside of battery mounting plate. Position cover and fasten with three #6-32 x 5/16 inch screws.



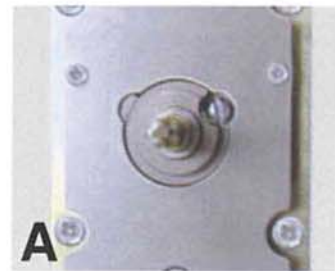
6. Replace and fasten Exit Device & Battery box covers. **Check lock for proper operation before closing door.**

Cal Royal Model 98



To Change Cylinder

IMPORTANT: When replacing cylinder be sure to use the proper Cylinder Adapter and Tailpiece.



A. Remove Cover plate. Rotate the spindle either direction to expose and remove cylinder screws.



B. Remove old cylinder and Insert new cylinder.



C. NOTE the tailpiece must be in the above horizontal position.



Alarm Lock Systems, Inc.
A division of the NAPCO Security Group
345 Bayview Avenue, Amityville, NY 11701
Tel: (631) 789-4871 Fax: (631) 789-3383
www.alarmlock.com



© 2001 Alarm Lock Systems, Inc.

WI 1121-CR8 01/02